

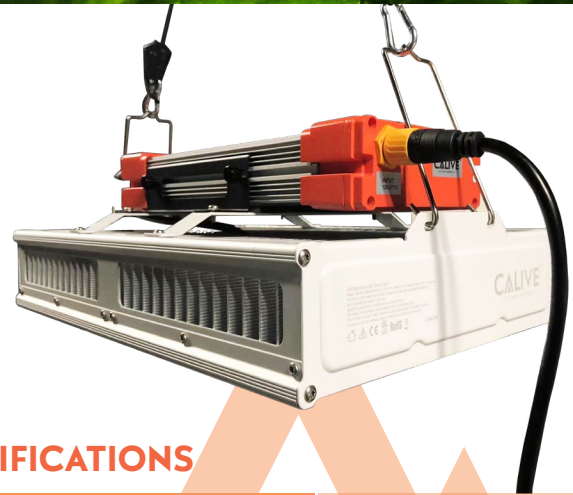
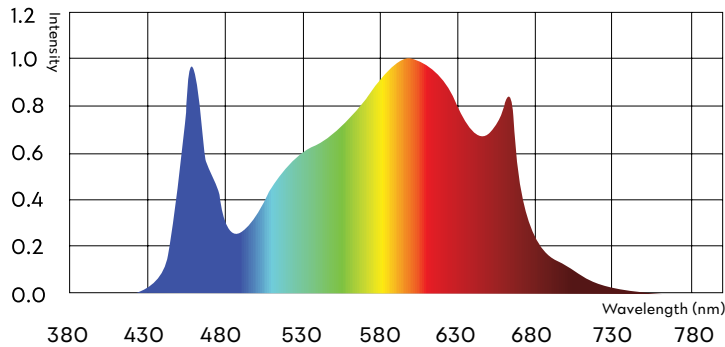
DRAGON 800W

Total PPF: 2,080 μmol/s

The DRAGON grow light maximizes crop yield and quality in greenhouses and other indoor grow settings. The DRAGON LED grow light is specially designed for retrofit using purposes.

- Plus up to 20% energy savings vs. 1000W Single Ended HPS fixtures (based on average wattage of each fixture)
- First 1:1 HPS Replacement.
- Impressive 2,080 μmol/s output for more crop-loving light at up to 20% energy savings vs. 1000W HPS fixtures (based on average wattage of each fixture)
- Compact design fits seamlessly in HPS layouts, reducing the pain when replacing hundreds at a time
- Broad spectrum designed to deliver the deep blues, hot reds and balanced greens plants need for full-term growth
- IP66 wet rating and ETL compliant

TARGETED SPECTRUM



SPECIFICATIONS

TYPICAL INPUT POWER	800 W
TYPICAL PHOTON FLUX (PPF)	2.080 μmol/s
PPE	2.6 μmol/J
IP-RATING	IP66
OPERATING TEMPERATURE	-40°C/-40 °F to +104 °F
POWER FACTOR	> 90 %
COLOUR RENDERING INDEX	80 Ra
DIMMING	0-10V Dimmable
THE LIGHT WAVELENGTH	400-800 nm
NET WEIGHT	33.0LB/ 14.9 Kg
LIFETIME	50,000 hrs
WARRANTY	5 Years

All specifications are subject to change. All spec values are typical.

MODEL ORDERING GUIDE

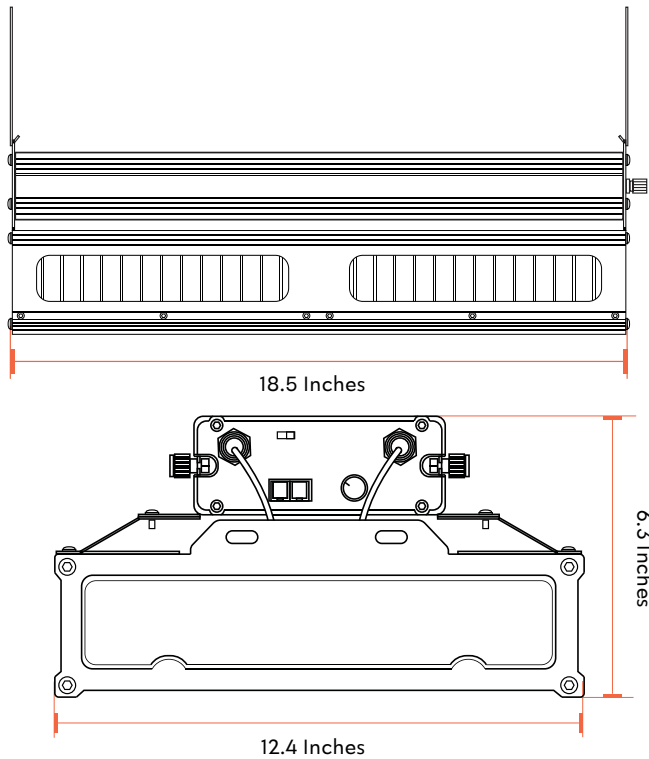
SERIES CODE	WATTAGE	SPECTRUM	INPUT VOLT	CORD LENGTH	PLUG TYPE	MOUNTING
CHF10-800W=DRAGON	800	CF=Full Phase	S=120V-277V H=347-480V	10=10ft	N5P=NEMA 5-15P N6P=NEMA 6-15P L7P=NEMA L7-15P PT=PIGtails	HK=Hanger Kits DM=Detach Mount

- - - - - -

DRAGON 800W

Total PPF: 2,080 $\mu\text{mol/s}$

FIXTURE MOUNTING DIMENSIONS



PPFD MAP DRAGON 800W

TEST AREA 4X4 FT
UNIT: $\mu\text{mol/s}$

18 Inches

46	347	694	307	39
90	1109	2506	1101	39
127	1608	3713	1683	122
85	1061	2502	1153	89
51	352	710	316	39

24 Inches

98	462	988	538	94
140	1046	1844	1077	179
175	1237	2341	1277	191
141	1024	1836	1064	128
95	555	1012	511	93

40 Inches

266	513	690	540	260
290	668	851	664	291
290	700	929	728	279
285	661	851	676	269
245	501	683	539	252

WARRANTY

DRAGON product is covered by a **5 year** limited warranty. CALIVE grow light warrants to the original purchaser that this product is free from defects in materials and workmanship for the period of 5 years from date of purchase. To obtain warranty service please contact your local distributor or sales rep for further instruction.

PLUG TYPE CHART

N5P	NEMA 5-15P	
N6P	NEMA 6-15P	
L7P	NEMA L7-15P	
PT	PIGTAILS	

WARNING

1. The installation should be performed by qualified electricians or technicians.
2. Before conducting any installation, maintenance, or removal, the luminaires should be powered off and cooled down.
3. Do not touch the fixture while it is turned on.
4. If there are any issues with the fixture, do not power off and attempt to repair it unless you are a qualified technician, electrician, or customer service member.

