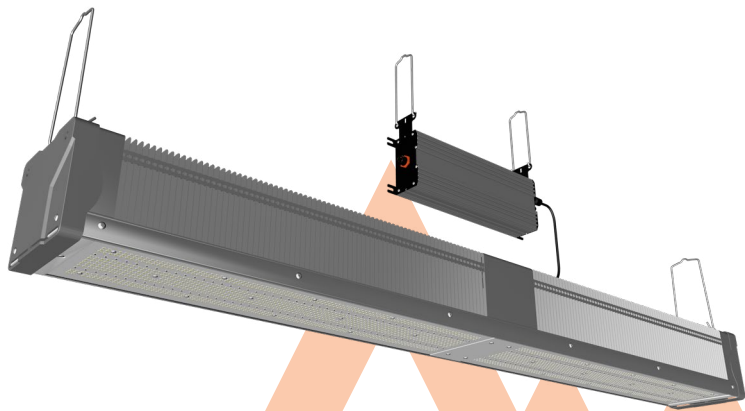


TITAN 700W

Total PPF: 2,100 µmol/s

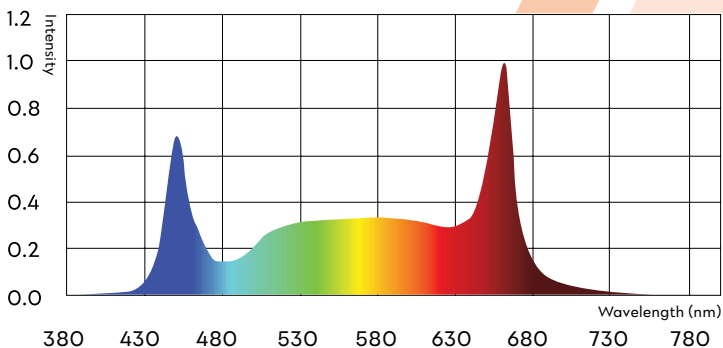
The TITAN grow light maximizes crop yield and quality in greenhouses and other indoor grow settings. Its compact power supply and linear design reduces shadows on plants in grow spaces with a lot of natural sunlight. These light systems feature a unique copper pipe design for optimal heat dissipation and deliver the highest efficacy and light output, reducing the fixture count. This lowers the system costs per lit square foot while optimizing daylight needed for fruit, vegetables, or cannabis.



SPECIFICATIONS

TYPICAL INPUT POWER	700 W
TYPICAL PHOTON FLUX (PPF)	2,100 µmol/s
PPE	3.0 µmol/J
IP-RATING	IP65
OPERATING TEMPERATURE	-40°C/-40 °F to +104 °F
POWER FACTOR	> 92 %
COLOUR RENDERING INDEX	>85 Ra
DIMMING	0-10V Dimmable
THE LIGHT WAVELENGTH	400-800 nm
NET WEIGHT	34 Lb (15.4 kg)
LIFETIME	50,000 hrs
WARRANTY	5 Years

TARGETED SPECTRUM



All specifications are subject to change. All spec values are typical.

MODEL ORDERING GUIDE

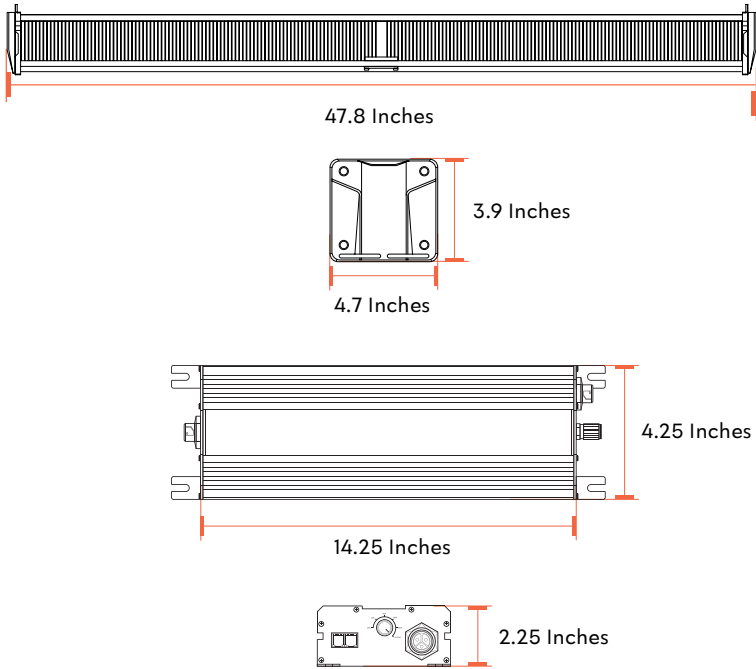
SERIES CODE	WATTAGE	SPECTRUM	INPUT VOLT	CORD LENGTH	PLUG TYPE	MOUNTING
CHFO1= TITAN	700	CF= Full Phase	S= 120V-277V H= 347-480V	10= 10ft	N5P= NEMA 5-15P N6P= NEMA 6-15P L7P= NEMA L7-15P PT= PIGtails	HK= Hanger Kits DM= Detach Mount

- - - - - -

TITAN 700W

Total PPF: 2,100 $\mu\text{mol/s}$

FIXTURE MOUNTING DIMENSIONS



PPFD MAP TITAN 700W

TEST AREA 4X4 FT

18 Inches

159	300	327	300	159
530	980	950	940	522
862	1794	1819	1807	910
540	976	981	925	491
161	292	299	306	158

24 Inches

251	320	365	311	255
479	800	808	825	481
671	1175	1211	1186	681
453	795	819	815	469
252	337	363	318	257

40 Inches

224	288	318	286	225
311	453	480	451	318
357	528	539	529	365
312	451	472	448	318
223	294	314	282	226

WARRANTY

TITAN product is covered by a **5 year** limited warranty. CALIVE warrants to the original purchaser that this product is free from defects in materials and workmanship for the period of 5 years from date of purchase. To obtain warranty service please contact your local distributor or sales rep for further instruction.

PLUG TYPE CHART

N5P	NEMA 5-15P	
N6P	NEMA 6-15P	
L7P	NEMA L7-15P	
PT	PIGTAILS	

WARNING

1. The installation should be performed by qualified electricians or technicians.
2. Before conducting any installation, maintenance, or removal, the luminaires should be powered off and cooled down.
3. Do not touch the fixture while it is turned on.
4. If there are any issues with the fixture, do not power off and attempt to repair it unless you are a qualified technician, electrician, or customer service member.